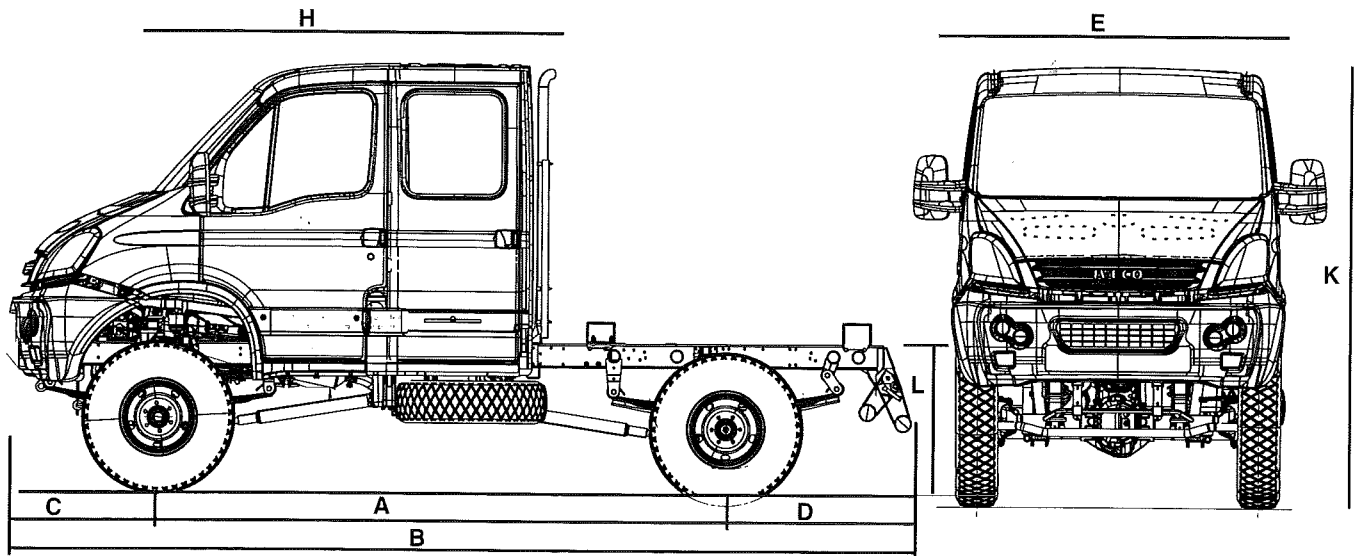


DAILY 4X4

55SI5WHD Crew Cab Euro3



Dimensions

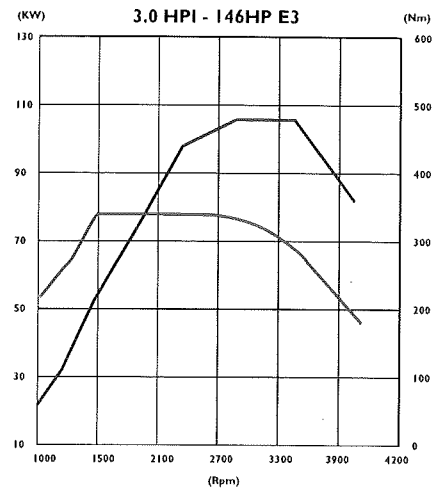
	mm
A Wheelbase	3400
B Overall length	5432
C Front overhang	900
D Rear overhang	1132
E Maximum cab width	2016
H Front axle to body	2288
K Overall height (unladen)	2667
L Frame height at rear	1104
Approach angle (degrees)	50
Departure angle (degrees)	33
Ground clearance - front	300
Ground clearance - rear	300
Dept of water	660
Bank angle (degrees)	40
Turning circle (k to k) (m)	13.4
Turning circle (w to w) (m)	14.4
Maximum body width - Standard	2200
Maximum body width - Optional	2300
Recommended max body length	2550

Plated weights

	kg
Front axle	2450
Rear axle	3700
Gross vehicle mass (GVM)	5500
Gross combination mass (GCM)	10000

Kerb weights

	kg
Front axle	1840
Rear axle	925
Total	2765
Maximum body & payload	2735



Weights

Kerb weights are with full fuel tank, oil, water, spare wheel, tools and include driver @ 75kgs
Kerb weights are subject to a manufacturing tolerance of + 5%

Engine

Fuel	Diesel
Capacity (litres)	3.0
Cylinders	4 (16 valves)
Emission Compliance	Euro3
Fuel System	Common rail Generation
Power (hp/ kW)	146/ 107
@ rpm	3000-3500
Torque (Nm)	350
@ rpm	1400-2600
Exhaust system	Centre emit

IVECO

www.iveco.co.za

DAILY 4X4

Gearboxes

Type	6S400OD 6 speed Synchromesh Overdrive
1st gear	5.37 : 1
Top gear	0.79 : 1

Clutch

Type	Hydraulic
Diameter	280mm

Front and Rear Axle Ratios

Type	Rigid, Single Reduction
Axle ratio	4.87
Diff lock	Standard

Suspension

Front Parabolic - 3 leaf
Rear Parabolic - 4 leaf
Anti-roll Bar Front and rear
Shock Absorbers Front and rear

Brakes

Front/Diameter
ventilated disc brakes / 297 mm
Rear/Diameter
drum brakes / 270 mm
ABS + EBD standard
Parking brake on rear axle

Steering

Power assisted - Rack and Pinion

Wheels and Tyres

Wheels 6 x 17.5
Tyres Optional
9.5R 17.5 - On/Off Road Tread
Tyres Standard
255/100R16 - Full Off Road Tread

Lighting and Signaling

Halogen headlamps
Twin rear fog lamps
Twin reverse lamps

Fuel System

90 litres on left side with locking fuel cap

Electrics

Alternator - opt 14v - 110A
Alternator - std 14v - 140A
Battery 12v - 110Ah
Towing electric socket (13 pin) Standard

Transfer box

Type	2 Reductions
ON ROAD	
Normal ratio	1:1
Low ratio	1:1.244
OFF ROAD	
Normal ratio	1:3.115
Low ratio	1:3.866
Total ratios:	24, in combination with gearbox ratios
Torque distribution front	32%
Torque distribution rear	68%
Permanent all wheel drive	
Diff lock Front, Rear and Centre	Standard

Standard Equipment

Cab

Dual passenger seat with headrests
Fully adjustable driver's seat with headrest
4 passenger rear seat with headrests
Large dual storage pockets in doors
Three point inertia reel belt on front seats and rear outer seats.
Inertia lap belt for rear centre seats
Single piece floor mat
Exterior mirrors with integrated wide angle and direction indicators with kerbside observation mirror to nearside. 2 cup holders, Underseat storage, Bottle holder
Glove compartment with added storage
A4 storage compartment
Additional in-dash storage
Clip holder
Rear panel with small window
Rear door with sliding window
Additional light in rear
A Pillar grab handles for driver & passenger
Low entry driver and passenger exterior step

Chassis

Flat topped heavy duty high tensile reinforced steel c-section frame complete with pedestal body mounting brackets
Side mounted spare wheel and carrier
Tubular rear under ride guard with off road adjustment

Dashboard Incorporates

Dash-mounted gear lever RDS stereo radio/CD player (with Can security)
Coolant temperature indicator
Speedometer

Standard Equipment Continued

Rev. counter
2 DIN drawers which can carry CD Player and/or tachograph - model dependent, Air conditioning, Body builder connectors Front mudflaps, Overhead windscreen storage rack and DIN drawer, Sump guard, Suspended driver seat
Comfort dashboard (Standard with CRT) - LCD panel additions include: dual trip function; servicing indicator; door locking function; speed alarm; external temperature display and ice warning indicator are also shown only when climate control is specified.

Security

Central locking with remote control and door locking management - anti-theft system-Optional
Engine immobiliser
Steering lock

Construction and Finish

C-section steel longitudinal side members with welded tubular cross members with pressed steel unitary construction body mounted on rubber bushes. Anti-corrosion protection includes full cathodic dipping with galvanized boxed sections and strategic use of zinc plated panels in vulnerable areas. Protective under seal for all under body cabin area, wheel housings and engine area. Steel bumper and side mouldings.

Heating and Ventilation

Four speed fan with 5 different distribution modes and cab recirculation.
Windshield and side window defrost facility
Fresh air ventilation when heater turned off