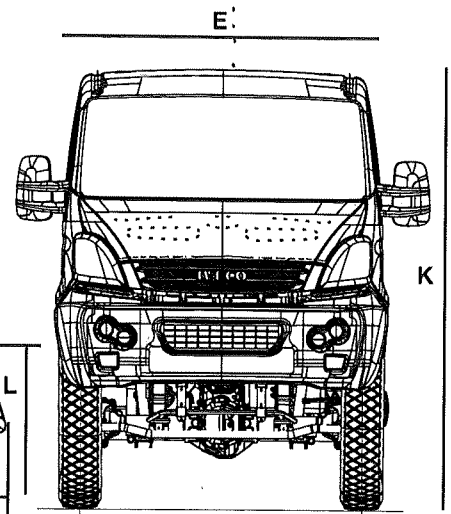
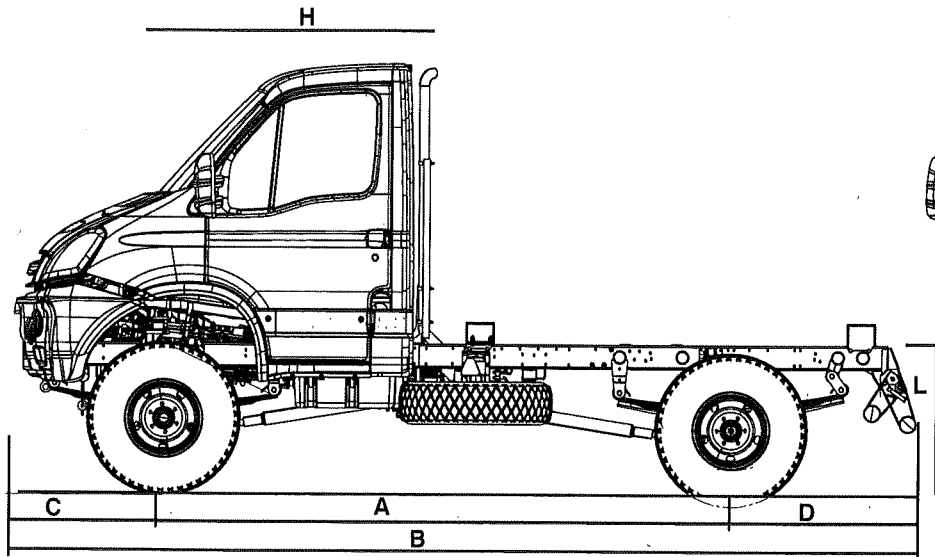


# DAILY 4X4

## 55SI5WH Chassis Cab Euro3



### Dimensions

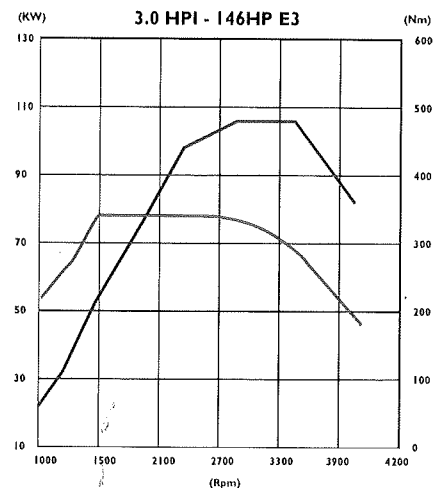
	mm
A Wheelbase	3400
B Overall length	4921
C Front overhang	900
D Rear overhang	971
E Maximum cab width	2016
H Front axle to body	1616
K Overall height (unladen)	2644 - 3050
L Frame height at rear	1107
Approach angle (degrees)	50
Departure angle (degrees)	33
Ground clearance - front	300
Ground clearance - rear	300
Dept of water	660
Bank angle (degrees)	40
Turning circle (k to k) (m)	12.2
Turning circle (w to w) (m)	13.2
Maximum body width - Standard	2200
Maximum body width - Optional	2300
Recommended max body length	2750

### Plated Weights

	kg
Front axle	2450
Rear axle	3700
Gross vehicle mass (GVM)	5500
Gross combination mass (GCM)	10000

### Kerb Weights

	kg
Front axle	1715
Rear axle	800
Total	2515
Maximum body & payload	2985



### Weights

Kerb weights are with full fuel tank, oil, water, spare wheel, tools and include driver @ 75kgs  
Kerb weights are subject to a manufacturing tolerance of + 5%

### Engine

Fuel	Diesel
Capacity (litres)	3.0
Cylinders	4 (16 valves)
Emission Compliance	Euro3
Fuel System	Common rail Generation
Power (hp/ kW)	146/ 107
@ rpm	3000-3500
Torque (Nm)	350
@ rpm	1400-2600
Exhaust system	Centre emit

**IVECO**

www.iveco.co.za

# DAILY 4X4

## Gearboxes

Type	6S400OD 6 speed Synchromesh Overdrive
1st gear	5.37 : 1
Top gear	0.79 : 1

## Clutch

Type	Hydraulic
Diameter	280mm

## Front and Rear Axle Ratios

Type	Rigid, Single Reduction
Axle ratio	4.87
Diff lock	Standard

## Suspension

Front Parabolic - 3 leaf  
Rear Parabolic - 4 leaf  
Anti-roll Bar Front and rear  
Shock Absorbers Front and rear

## Brakes

Front/Diameter  
ventilated disc brakes / 297 mm  
Rear/Diameter  
drum brakes / 270 mm  
ABS + EBD standard  
Parking brake on rear axle

## Steering

Power assisted - Rack and Pinion

## Wheels and Tyres

Wheels 6 x 17.5  
Tyres Optional  
9.5R 17.5 - On/Off Road Tread  
Tyres Standard  
255/100R16 - Full Off Road Tread

## Lighting and Signaling

Halogen headlamps  
Twin rear fog lamps  
Twin reverse lamps

## Fuel System

90 litres on left side with locking fuel cap

## Electrics

Alternator - opt 14v - 110A  
Alternator - std 14v - 140A  
Battery 12v - 110Ah  
Towing electric socket (13 pin) Standard

## Transfer box

Type	2 Reductions
ON ROAD	
Normal ratio	1:1
Low ratio	1:1.244
OFF ROAD	
Normal ratio	1:3.115
Low ratio	1:3.866
Total ratios:	24, in combination with gearbox ratios
Torque distribution front	32%
Torque distribution rear	68%
Permanent all wheel drive	
Diff lock Front, Rear and Centre	Standard

## Standard Equipment

### Cab

Dual passenger seat with headrests  
Optional single passenger seat  
Fully adjustable driver's seat with headrest  
Large dual storage pockets in doors  
Three point inertia reel belt on front seats  
Single piece floor mat  
Exterior mirrors with integrated wide angle and direction indicators with kerbside observation mirror to nearside. 2 cup holders, Underseat storage, Bottle holder  
Glove compartment with added storage  
A4 storage compartment  
Additional in-dash storage  
Clip holder  
Rear panel with small window  
A Pillar grab handles for driver & passenger  
Low entry driver and passenger exterior step

### Chassis

Flat topped heavy duty high tensile reinforced steel c-section frame complete with pedestal body mounting brackets  
Side mounted spare wheel and carrier  
Tubular rear under ride guard with off road adjustment

### Dashboard Incorporates

Dash-mounted gear lever RDS stereo radio/CD player (with Can security)  
Coolant temperature indicator  
Speedometer

### Standard Equipment Continued

Rev. counter  
2 DIN drawers which can carry CD Player and/or tachograph - model dependent, Air conditioning, Body builder connectors  
Front mudflaps, Overhead windscreen storage rack and DIN drawer,  
Sump guard, Suspended driver seat  
Comfort dashboard (Standard with CRT) - LCD panel additions include: dual trip function; servicing indicator; door locking function; speed alarm; external temperature display and ice warning indicator are also shown only when climate control is specified.

### Security

Central locking with remote control and door locking management - anti-theft system-Optional  
Engine immobiliser  
Steering lock

### Construction and Finish

C-section steel longitudinal side members with welded tubular cross members with pressed steel unitary construction body mounted on rubber bushes. Anti-corrosion protection includes full cathodic protection dipping with galvanized boxed sections and strategic use of zinc plated panels in vulnerable areas. Protective under seal for all under body cabin area, wheel housings and engine area. Steel bumper and side mouldings.

### Heating and Ventilation

Four speed fan with 5 different distribution modes and cab recirculation.  
Windshield and side window defrost facility  
Fresh air ventilation when heater turned off